

K4 Swing Check Valves

K4 Swing Check Valve

3" TO 10" PVC, PP, PPGR (glass reinforced) AND PVDF
EPDM or VITON SEALS

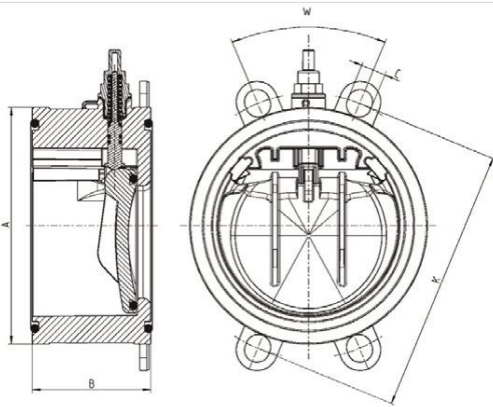
3

VALVES & VALVE AUTOMATION



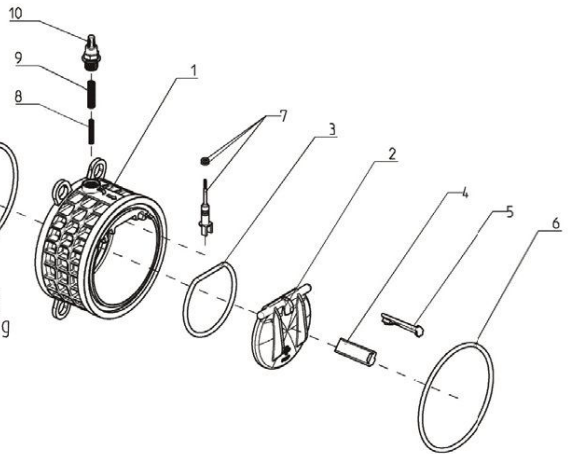
Features:

- Higher flow rates and lower pressure drops compared to 'thin wafer' design
- Energy efficient (less head loss)
- Quad O-Ring ensures tight seal on all types of flanges
- Non-wetted SS spring
- No spacer or flange gaskets required
- Can be mounted vertically or horizontally
- Nested springs included allow field settings for 50 psi, 100 psi or 150 psi
- Mounting link guide holes allow easy installation between ANSI 150# or equivalent size DIN flanges
- Materials are NSF listed



Parts List/Diagram

1. Body
2. Disc
3. Disc O-Ring
4. Left post
5. Right post
6. Body O-Ring
7. Indicator pin with O-Ring
8. Non-wetted 50 psi SS spring
9. Non-wetted 100 psi SS spring
10. Cap, clear



SIZE	DN BORE	A	B	C	K	W ϕ	WEIGHT			CV
							PVC	PP	PVDF	
3"	80	5.04	2.8	0.79	5.91-6.30	45	1.6	1.35	1.8	180
4"	100	6.1	3.15	0.79	6.89-7.52	45	2.25	2	2.65	400
6"	150	8.35	4.17	0.94	9.21-9.53	45	5.6	4.55	6.4	1000
8"	200	10.39	5.51	0.94	11.42-11.77	45	9.95	6.75	12.3	1500
10"	250	12.8	5.51	1.06	13.78-14.25	30	16.61	N/A	N/A	2000