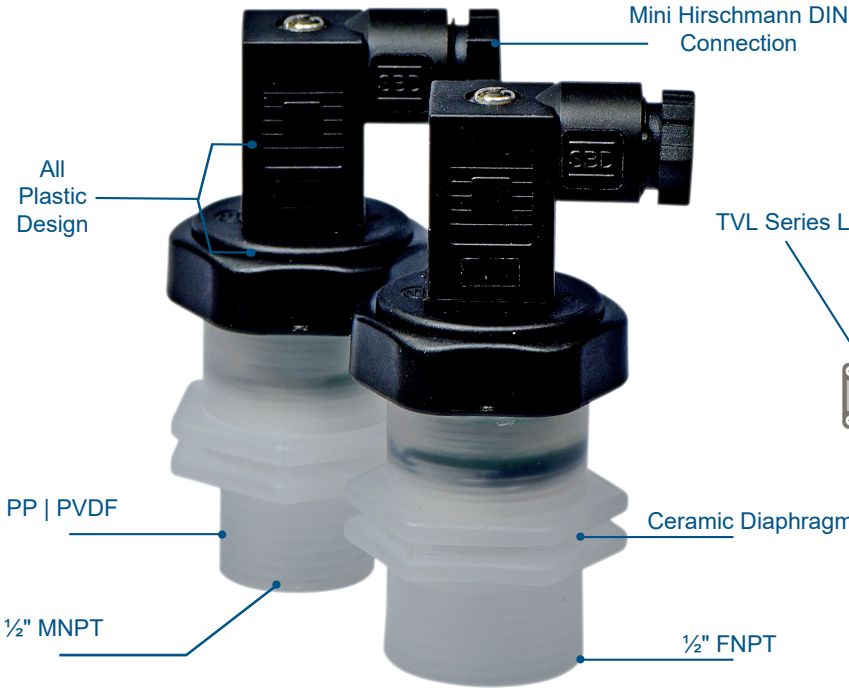


# LP 50 SERIES

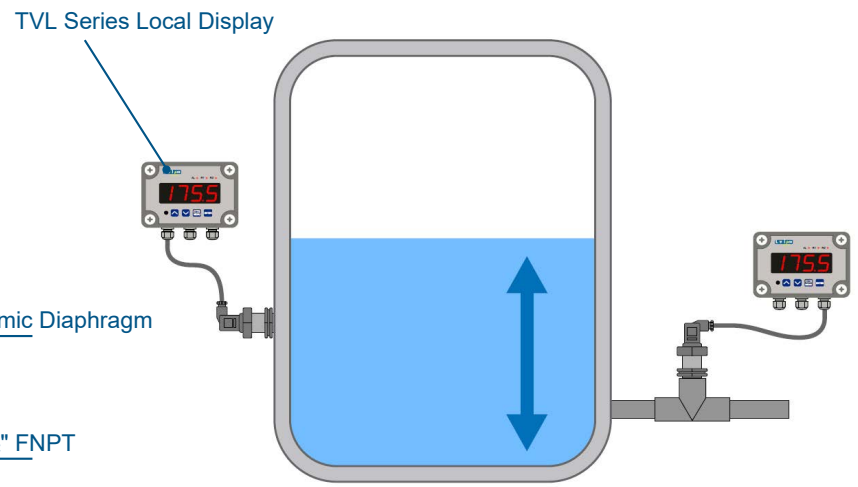
## Pressure Transmitter



PP

PVDF

**SERIES : LP50**



### FEATURES

- PP | PVDF Materials
- 4-20mA Analog Output
- FNPT | MNPT Connections Ceramic
- Sensing Diaphragm
- Easy Installation
- 0.25% F.S | High Accuracy
- No Programming Required
- Temperature Compensated
- Excellent Chemical Resistance

### APPLICATIONS

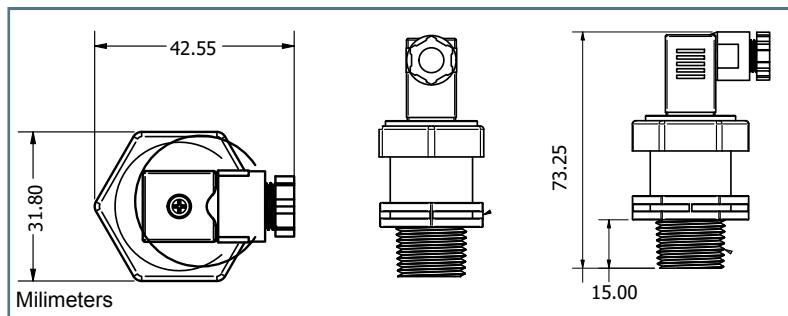
- Chemicals | Acids | Bases
- Tank Level
- Filter | Strainer Notification

### SPECIFICATIONS

Range*	0-60psi   0-100psi   0-160psi
Medium	H2O   Corrosive Liquid   Gases
Accuracy	0.5% F.S
Power Supply	18 - 36VDC
Output Signal	4-20mA   2 Wire Loop Powered
Medium Temperature	-35 - +85°C
Environment Temperature	-40 - +80°C
Store Temperature	-40 - +80°C
Temperature Effect	±0.02% FS
Pressure Connection	1/2" MNPT   FNPT
Electrical Connection	Hirschmann DIN Quick Connect

\* Consult Factory for Other Ranges

### DIMENSIONS



### ORDERING

Size	Part Number	Material
1/2"	LP50-PP	PP
1/2"	LP50-PF	PVDF

**Add Suffix-**  
**'M'** - MNPT  
**'F'** - FNPT