

# Mist Eliminators

## Fabco Mist Eliminators

### FABCO ELIMINATOR TYPE LTV 1500

for vertical gas flow

The Fabco eliminator Type LTV 1500 has been developed to give high EFFICIENCY MIST ELIMINATION WITH LOW PRESSURE DROP. The multi-chamber profile causes the liquid droplets caught to be moved out of the gas stream such that they can drain back to the process without re-entrainment.

#### ADVANTAGES

- high efficiency mist elimination combined with very low pressure drop.
- compact size finds wide application.
- can be retrofitted to scrubbers and other process equipment.
- available in a full range of corrosion resistant materials.

#### OPERATING CONDITIONS

- RECOMMENDED INLET VELOCITY 4 m/s.
- operating velocity range 2.5 - 6m/s.
- limit drop size 40 microns, depending on velocity.
- removal efficiency 99.9% for limit drop size and larger.

#### APPLICATIONS

- downstream of gas scrubbers, especially spray scrubbers and packed columns.
- fitted also to acid coolers, evaporating coolers and evaporators.

#### MATERIALS OF CONSTRUCTION

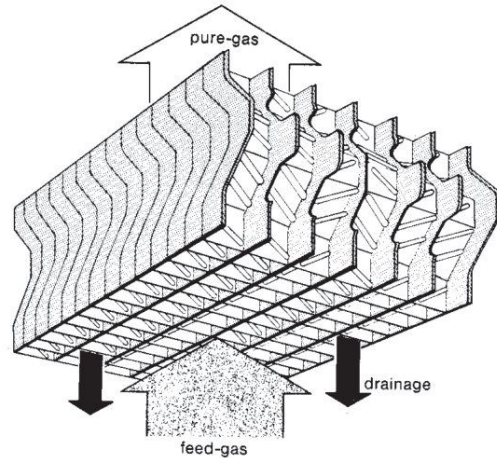
- Polypropylene
- PVDF
- Stainless steel (304, 316)

#### AVAILABLE ON REQUEST

- POLYSTYRENE
- NORYL
- PVC/CPVC
- RYTON PPO
- ABS

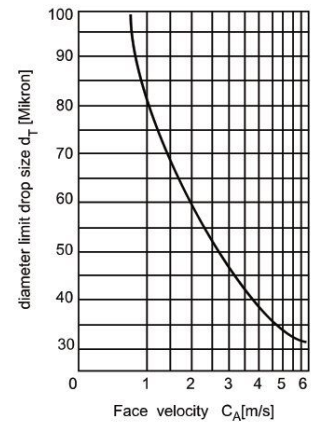
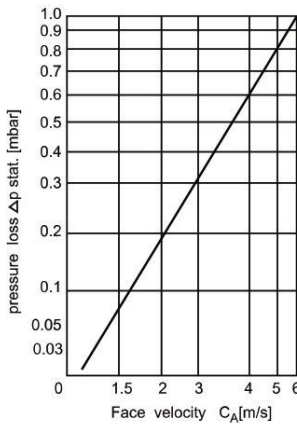
#### MODE OF OPERATION

The gas and the entrained liquid droplets are deflected by means of the vanes of the profile. The droplets impinge on the walls of the profiles by inertial forces. Ribs placed on the surface of the profile cause the captured liquid to flow down the sides where it can fall back into the process without re-entrainment.



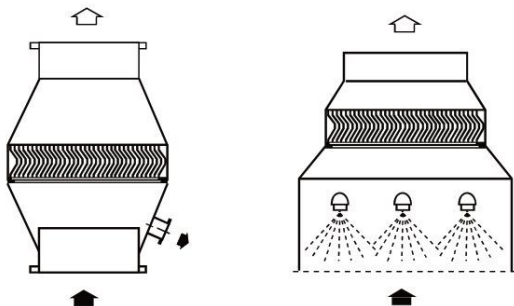
#### WE SUPPLY

- eliminator packs for retrofitting in existing units.
- complete units with their own housing.
- we design the complete units for your application.



LTV 1500 ELIMINATOR MODULES			
PART NO.	MATERIAL	MODULE WIDTH	PRICE per Sq. Ft.
LTV1500	POLYPRO	12" or 24"	\$ P.O.R.
LTV1520	PVC	12" or 24"	\$ P.O.R.
LTV1530	CPVC	12" or 24"	\$ P.O.R.
LTV1540	PVDF	12" or 24"	\$ P.O.R.
LTV2415 *	ABS (BLACK)	12" or 24"	\$ P.O.R.
LTV2415C	ABS (CLEAR)	12" or 24"	\$ P.O.R.
LTV1520C	PVC (CLEAR)	12" or 24"	\$ P.O.R.

\* LTV2415 ABS (Black) are Fire Retardant modules.



## MIST ELIMINATOR TYPE LTH 2000

for horizontal gas flow

The Fabco Mist Eliminator, Type LTH 2000 is a profile eliminator for horizontal gas flow. It operates at high velocity and captures droplets down to approximately 10 micron diameter. An important aspect of this design is that it has a drain channel which positively prevents the captured liquid from being re-entrained into the gas stream.

### ADVANTAGES

- removal efficiency 99.9% of limit drop size droplets and larger.
- high face velocity which results in compact units.
- two profiles available, one with a single drain channel, the other with three to suit different applications.
- easy to clean.

### MATERIALS AVAILABLE

- ABS
- PVC
- Polypropylene
- PVDF
- Carbon Steel
- Galvanized Steel
- Stainless Steel (304, 316)

### OPERATING CONDITIONS

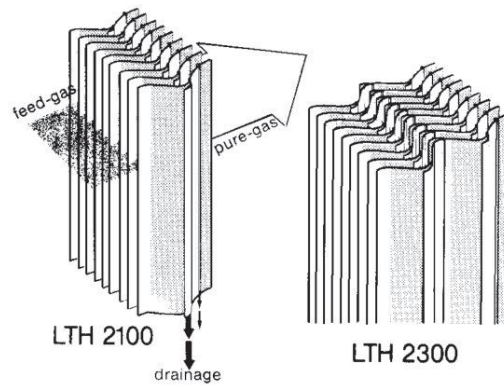
Inlet face velocity 2.5 - 6 m/s, for a single stage of eliminators; up to 12 m/s with two stages or more.

### APPLICATIONS

- downstream of scrubbers, especially spray scrubbers or towers.
- process gas cleaning
- evaporators
- acids mists from electro-plating and electro-deposition plants.

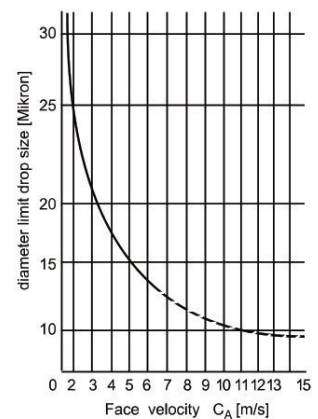
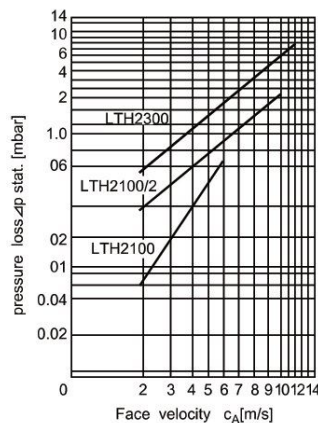
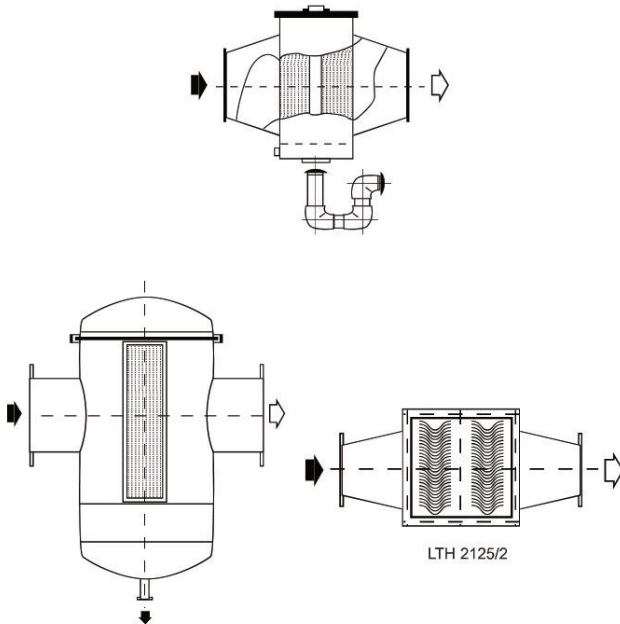
### MODE OF OPERATION

The sophisticated aerodynamic design of the profiles cause the elimination of liquid droplets by inertial forces. The profiles are designed with a main drain channel to capture the bulk of the captured liquid and a number of small drain channels to prevent re-entrainment downstream of the venture like throat. By this combination of drain channels the captured liquid droplets are prevented from re-entering.



### WE SUPPLY

- modular packs of profiles for installation into existing housings, towers or vessels
- complete units with housing for pressure or vacuum operation
- we custom design the eliminator for your application



### LTH 2100 BLADES

MATERIAL	PART NO.	PRICE/FT.
PVC	LTH2100	P.O.R.
P.P.	LTH2400	P.O.R.