

PPT SERIES

Pressure Transmitter | Switch



PP

PVDF

316L

RoHS
Compliant

CE

SERIES : PPT
CONNECTION : 1/2" | 1/4" NPT

- ### FEATURES
- Display Changes from Green to Red (Relay Active)
 - High Accuracy 0.25% of Full Scale
 - Ceramic Diaphragm
 - Display Pressure Units PSI | Bar | Kg/Cm² | kPa
 - (2) 5 Amp Relay Alarm Functions
 - 4-20mA Analog Output
 - Digital RS-485 Interface Function*
 - IP66 NEMA 4X
 - Rotatable LED Display

SPECIFICATIONS

Pressure Sensor	Ceramic (AL ₂ O ₃ 96%)
Measured Fluids	H ₂ O Liquid Chemicals Gases
Operating Temperature	-40 ~ +125°C**
Accuracy	± 0.25% of F.S. @ 25°C max.
Repeatability	<±0.5% FS max.
Operating Voltage	10~30VDC
Current Consumption	60mA max.
Pressure Unit	Psi Bar kPa kg/cm ²
Pressure Display	0~9999 Green Red
Alarm Display	0~9999 Red
Communication	RS-485 RTU*
Transmitter	4~20mA 0~10V*
Output	2 5amp Relay 2 NPN* 2 PNP*
Output Current	150mA max.
Relay Contact Rated	5A/250 VAC max.
Over Pressure	200% of FS min.
Burst Pressure	300% of FS min.
Zero Drift	@ 20°C ± 0.03% FSO
Sensitivity drift	@ 20°C ± 0.03% FSO
Resistance of Output	50Ω max.
Thermal Drift	± 0.03% FS /°C
Material	PP PVDF 316L
Protection class	IP64
Approval	CE RoHS General Purpose

Color of Display

Alarm OFF	Alarm ON
Green	Red

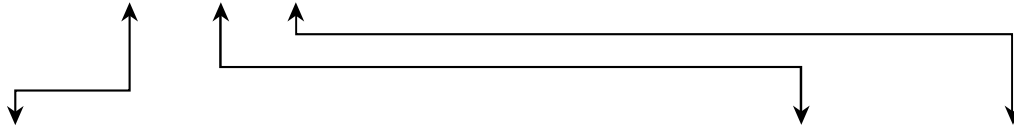
*Optional
**Range Varies Based on Material

PPT SERIES

Pressure Transmitter | Switch



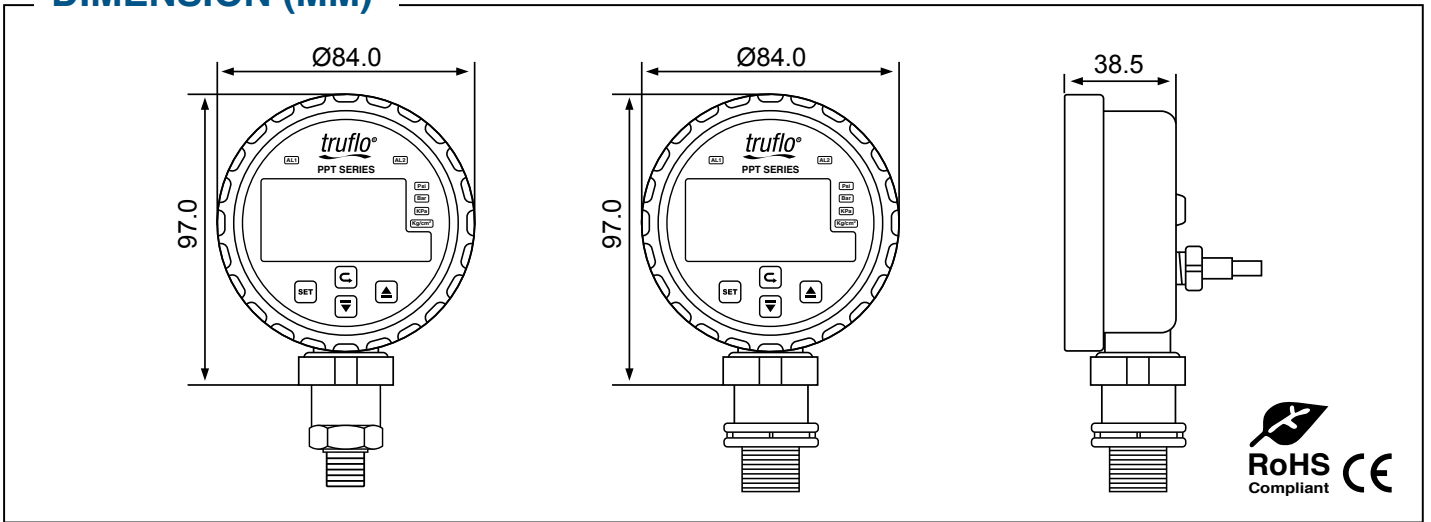
PPT - 10 - PP - M



Pressure Range	Alarm Method	Transmitter Output	Material	Connection	Electrical Connection
C1 = -14.5 ~ +14.5 Psi C10 = -14.5~145.0 Psi 1 0 = 0~145.0 Psi 100 = 0~1450 Psi (SS Only)	2x 5amp Relays(std) Suffix 'P' PNP Suffix 'N' NPN	4-20mA Output	PF - PVDF PP - PP SS - 316L	PP PVDF F - 1/2" FNPT M - 1/2" MNPT 316SS SS : 1/4" MNPT	M12 Connection

*Suffix 'V' For 0~10V
Suffix 'RS' For RS-485

DIMENSION (MM)



Wiring Diagram

Relay output	PNP or NPN Output	PNP or NPN output with RS-485	NPN or PNP output with 4~20mA or 0~10V	Relay output with 4~20mA or 0~10V
Brown : +V White : R2 (NO) Blue : 0V Black : R1 (NO) Grey : Com	Brown : +V White : PNP or NPN Blue : 0V Black : PNP or NPN	Brown : +V White : NPN or PNP Blue : 0V Black : NPN or PNP Grey : RS- Orange : RS+	Brown : +V White : NPN or PNP Blue : 0V Black : NPN or PNP Grey : 0V Orange : mA or V	Brown : +V White : R2 (NO) Blue : 0V Black : R1 (NO) Grey : Com Orange : mA or V

Display Range

Range	Unit	Bar	kg/cm ²	Psi	kPa
「C1」		-1.00 ~ 1.00	-1.02 ~ 1.02	-14.5 ~ 14.5	-100.0 ~ 100.0
「C10」		-1.00 ~ 10.00	-1.02 ~ 10.20	-14.50 ~ 145.0	-100.0 ~ A00.0
「10」		0.00 ~ 10.00	0.00 ~ 10.20	0.0 ~ 145.0	0.0 ~ A00.0
「100」		0.0 ~ 100.0	0.0 ~ 102.0	0 ~ 1450	0 ~ A000