

# Basket Strainers

## Hayward SB Series Simplex Basket Strainers

1/2" TO 8" PVC, CPVC, GFPP BLACK, GFPP PLATINUM AND EASTAR®



NSF

PVC and CPVC

### KEY FEATURES

- PVC, CPVC, GFPP and Eastar®
- True Union
- Ergonomic Hand-Removable Cover
- In-Line or Loop Connections
- External Cover Threads
- Integral Flat Mounting Bases
- PVC or CPVC Baskets Standard
- NSF/ANSI 61 Listed

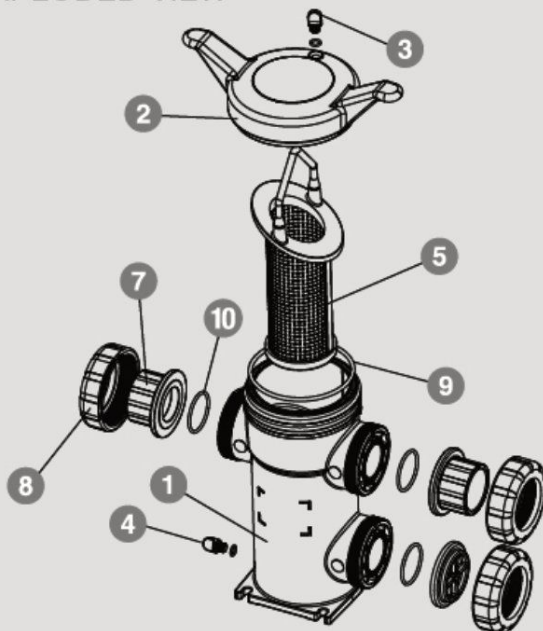
### OPTIONS

- Stainless Steel, Monel®, Hastelloy® and Titanium Strainer Baskets
- Pressure Differential Gauge and Switch
- Baskets Available with Perforated or Mesh Liners

### MATERIALS

- PVC Cell Class 12454 per ASTM D1784
- CPVC Cell Class 23447 per ASTM D1784
- GFPP Cell Class 85580 per ASTM D4101
- Eastar®
- FPM and EPDM O-Ring Seals

### EXPLODED VIEW



### SELECTION CHART

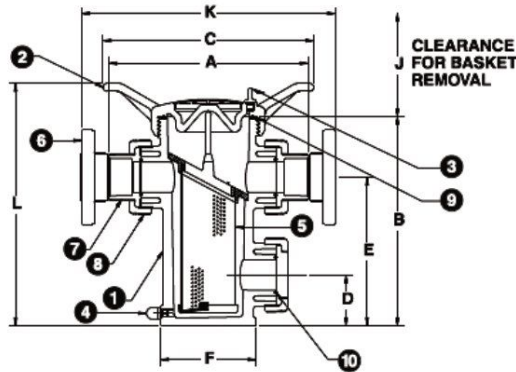
SIZE	MATERIAL	END CONNECTION	SEALS	PRESSURE RATING
1/2" - 4" (DN15 - DN100)	PVC or CPVC	Socket, Threaded or Flanged	FPM or EPDM	150 PSI @ 70°F Non-Shock
	Eastar®*			100 PSI @ 70°F Non-Shock
	GFPP	Threaded or Flanged		150 PSI @ 70°F Non-Shock

\* End connections and assembly nuts are PVC

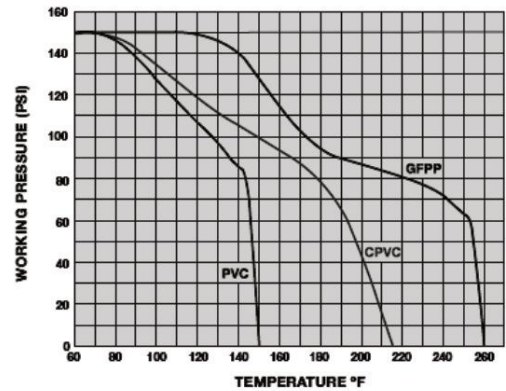
## Technical Information

### PARTS LIST

1. Body
2. Cover
3. Vent Plug and O-Ring
4. Drain Plug and O-Ring
5. Basket
6. Flange (Optional)
7. End Connector
8. Nut
9. Cover O-Ring
10. End Connector O-Ring



### OPERATING TEMPERATURE/PRESSURE



### Cv VALUES

SIZE IN/DN	Cv VALUES
1 / 2 / 15	15
3 / 4 / 20	18
1 / 25	20
1-1/4 / 32	55
1-1/2 / 40	58
2 / 50	60
2 1/2 / 65	290
3 / 80	300
4 / 100	350
6 / 150	1000
8 / 200	750

The above Cv Values were determined using a 1/16" perforated plastic basket in 1/2" through 4" strainers.

To calculate pressure drop through vessels using other than 1/16" perforated baskets, first calculate the pressure drop using the listed Cv, and then multiply the result by the correction factor in the Correction Factors chart to the left.

### BASKET PERFORATION CORRECTION FACTORS

FOR 1/2" TO 4" STRAINERS

PLASTIC		STAINLESS STEEL			
1/32"	1.05	1/32"	.82	20 Mesh	.79
1/16"	1.00	1/16"	.74	40 Mesh	1.01
1/8"	.58	1/8"	.58	60 Mesh	1.20
3/16"	46	5/32"	.37	80 Mesh	1.16
		3/16"	.46	100 Mesh	1.20
		1/4"	.58	200 Mesh	1.09
		3/8"	.45	325 Mesh	1.22

### PVC

PART #	SIZE	END CONN.
SB1050SF	1/2"	Flanged
SB1075ST	3/4"	Skt/Thd
SB1075SF	3/4"	Flanged
SB1100ST	1"	Skt/Thd
SB1100F	1"	Flanged
SB1125ST	1-1/4"	Skt/Thd
SB1125F	1-1/4"	Flanged
SB1150ST	1-1/2"	Skt/Thd
SB1150F	1-1/2"	Flanged
SB1200ST	2"	Skt/Thd
SB1200F	2"	Flanged
SB1250T	2-1/2"	Threaded
SB1250S	2-1/2"	Socket
SB1250F	2-1/2"	Flanged
SB1300T	3"	Threaded
SB1300S	3"	Socket
SB1300F	3"	Flanged
SB1400T	4"	Threaded
SB1400S	4"	Socket
SB1400F	4"	Flanged
SB1600FT	6"	Flanged
SB1800FT	8"	Flanged

### CPVC

PART #	SIZE	END CONN.
SB2050SF	1/2"	Flanged
SB2075ST	3/4"	Skt/Thd
SB2075SF	3/4"	Flanged
SB2100ST	1"	Skt/Thd
SB2100F	1"	Flanged
SB2125ST	1-1/4"	Skt/Thd
SB2125F	1-1/4"	Flanged
SB2150ST	1-1/2"	Skt/Thd
SB2150F	1-1/2"	Flanged
SB2200ST	2"	Skt/Thd
SB2200F	2"	Flanged
SB2250T	2-1/2"	Threaded
SB2250S	2-1/2"	Socket
SB2250F	2-1/2"	Flanged
SB2300T	3"	Threaded
SB2300S	3"	Socket
SB2300F	3"	Flanged
SB2400T	4"	Threaded
SB2400S	4"	Socket
SB2400F	4"	Flanged
SB2600FT	6"	Flanged
SB2800FT	8"	Flanged

For 6-8" Strainers Contact Fabco

### Basket Selection

- The 1/2" to 1" strainers can be ordered with either a 1/32" or 1/16" perf plastic basket.
- The 1 1/2" and 2" with a 1/32", 1/16", 1/8", or 3/16" perf plastic basket.
- The 3" and 4" with a 1/16", 1/8" or 3/16" perf plastic basket.
- The 6" and 8" with a 1/8" or 3/16" perf plastic basket.
- Stainless steel baskets for all size strainers are available in these perms: 1/32", 3/64", 1/16", 5/64", 7/64", 1/8", 5/32", 3/16", 1/4", 3/8", 1/2"; and in mesh sizes: 20, 40, 60, 80, 100, 200, 325