

## Process Technology Electric Immersion Heaters

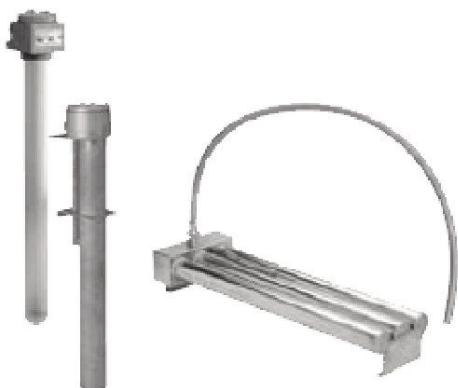


### Fluoropolymer (PTFE) Heaters

Compatible with virtually any chemistry. Sizes up to 18 kilowatt, single or three phase. Large variety of standard and custom configurations for over-the-side and tank bottom installations. Screw plug and flange heaters in sizes from 1/2-inch screw plug (100 Watt) to 6-inch flange (18 kW). Thermal overtemperature protection standard (except screw plug). cULus and CE.

### Metal Heaters

Variety of materials to match your application (titanium, 316 and 304 stainless steel, and plain steel). Sizes up to 54 kW. Standard and custom configurations for over-the-side and bottom installations in open tanks. Screw plug and flange heaters in titanium and 316 stainless, sizes from 1/2-inch screw plug (100 Watt) to 6-inch flange (72 kW). Thermal overtemperature protection standard (except screw plug) cULus and CE.



### Special Application Heaters

We specialize in unique and difficult applications. Configurations available include: quartz heaters, phosphate heaters, lab heaters, flexible riser heaters, deep tank heaters, Varipower™ heaters, EASYPLUG™ heaters (heater plugs into the control, the control plugs into the wall).

## Process Technology Inline Heaters



### Water Heaters

Point of use electric water heaters for industrial applications. Excellent for DI spray rinse, precision cleaning, reverse osmosis water, city water, and salt water. Integrated heater and control system. Wall mounted up to 72 kW, floor mounted up to 144 kW. Single pass or recirculation. All titanium or stainless steel wetted parts. Custom controls available. cULus.

### Chemical/Solvent Heaters

Optimum solution for heating solvents and IPA! 316SS Electropolished heaters for Surface Finishing and Solvent applications. Up to 36 kW and temperature range up to 180°C. Single pass or recirculation. All 316 stainless steel wetted parts. Custom controls available. UL823, UL499, CSA 22.2 and CE certified.

