

+GF+ Type 530 AquaTap Recirculating Laboratory Faucet



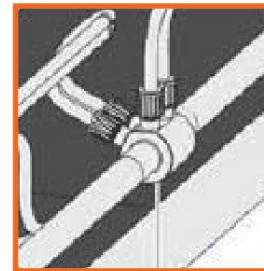
Featuring GF's Inline Flow Diverter (IFD) Technology (Patent Pending)

The Georg Fischer Type 530 recirculating laboratory faucet is designed to provide constant DI fluid flow to point of use when used with the new Inline Flow Diverter (IFD). The unique design of the IFD provides high flow from the distribution main through the faucet for constant water movement. The IFD uses a slight orifice reduction to create a differential pressure imbalance which forces water through the faucet with minimal pressure loss. The system is further enhanced by using smooth bore interconnecting tubing for design flexibility and simplified piping installations. Up to three faucets can be served from a single IFD.

The faucet is made from high purity PVDF, and the IFD is available in SYGEF® PVDF or PROGEF® natural PP in either weld or sanitary clamp connections. Simple heat flaring tools make leak-proof, minimum crevice connections between components.

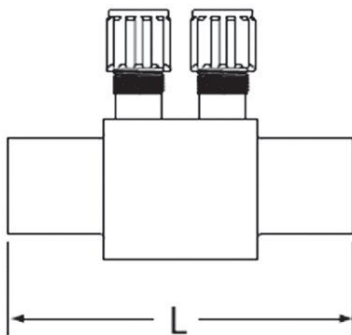
Technical Features

- Ideal flow characteristics
- Sleek robust design
- Continuous flow up to valve eliminating dead-legs
- Easy flare-style connection method
- Deck or wall mounting options
- Needle-type flow control for precise metering



Example: Single IFD (Inline Flow Diverter): Serving Multiple (3) AquaTap Faucets

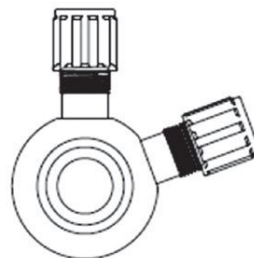
Tie-In Components



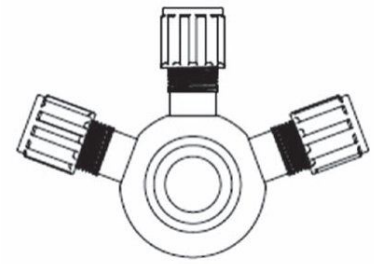
Inline Flow Diverter with IR Butt/BCF® Plus Connection



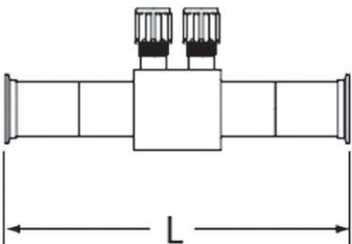
1/1 Port (Inlet/Outlet)



2/2 Port (Inlet/Outlet)

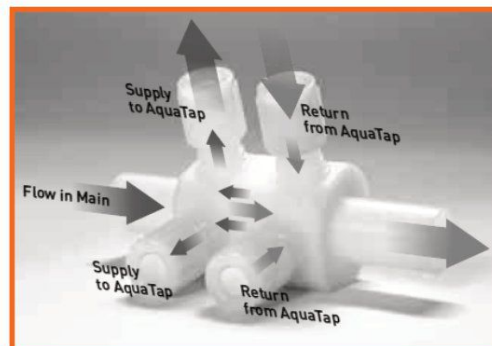


3/3 Port (Inlet/Outlet)

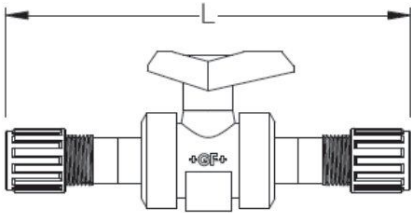


Inline with sanitary Tri-Clamp Connections Flow Diverter

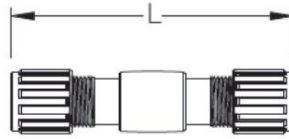
NOTE: ALSO AVAILABLE WITH SANITARY CLAMP ENDS



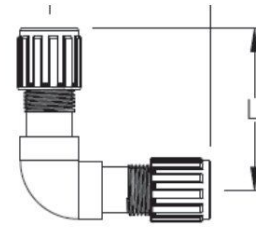
Tubing Interconnect Components



Isolation Ball Valve
Capable of direct connection as isolator to the faucet



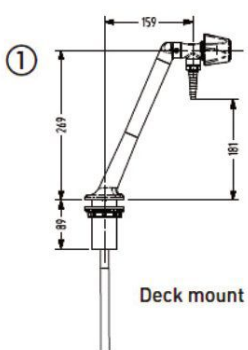
Straight Coupler
For direct connection to faucet tubing



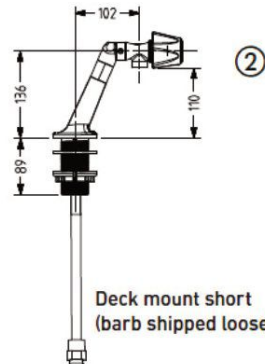
90° Elbow
For tight space constraints

Ordering Details

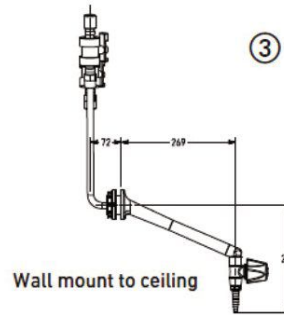
PICTURE	MOUNTING STYLE	PN	PART NUMBER
1	Deck Mount Hose Barb	6	175530101
2	Deck Mount Short Version Female 3/8" NPT	6	175530105
3	Wall Mount to Ceiling Hose Barb	6	175530102
4	Wall Mount to Floor Hose Barb	6	175300103
5	Wall Mount with Hose Barb to floor short	6	175530107
6	Deck Mount Dual Head	6	175530104
7	Wall Mount Short to Ceiling	6	175530106
8	Wall Mount with Hose Barb at Mounting Elevation	6	175530118



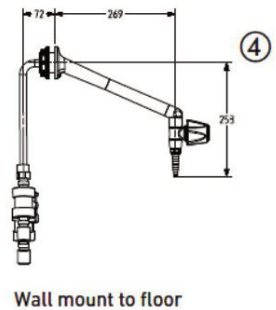
Deck mount



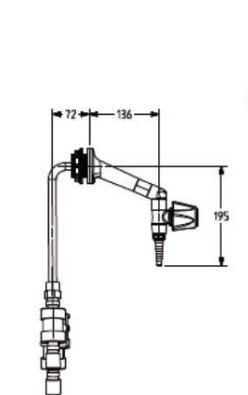
Deck mount short (barb shipped loose)



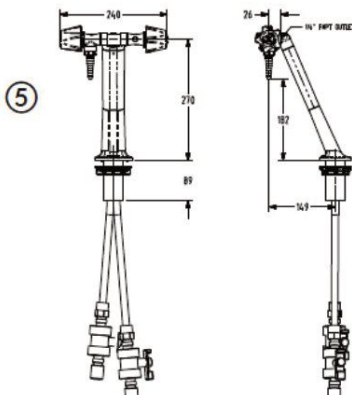
Wall mount to ceiling



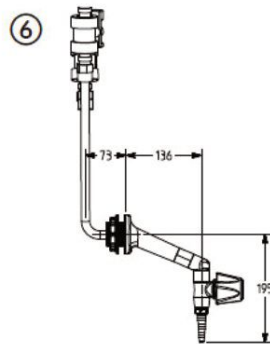
Wall mount to floor



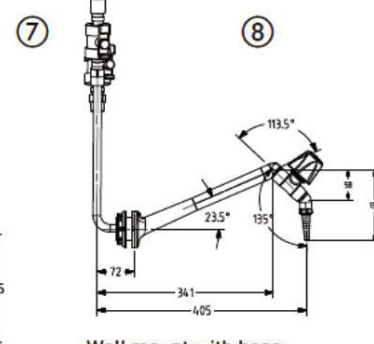
Wall mount to floor short



Deck mount dual head



Wall mount to ceiling short



Wall mount with hose barb at mounting level

Notes:

Mounting Hole Diameter 2"-2 1/8"

Male-to-male coupler included (not shown in illustration)