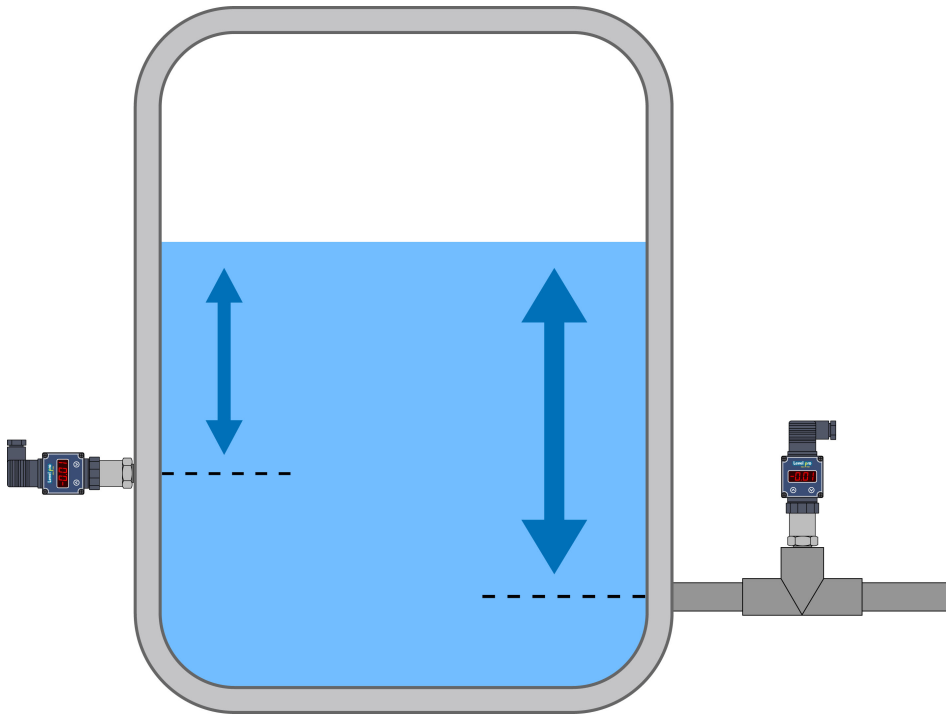


- Excellent Chemical Resistance
- High Accuracy
- Perfect for Corrosive Liquids



Features

- Completely Corrosion Resistant
- Easy to Install
- NPT Connection
- PFA Teflon Probe
- Temperature Ranges 0-100°C
- Suitable for Sticky Liquids-Gases
- 4-20mA Output
- Standard Probe Lengths. 4-6-8 inch
- Accuracy ± 0.5%

Option - LED Display

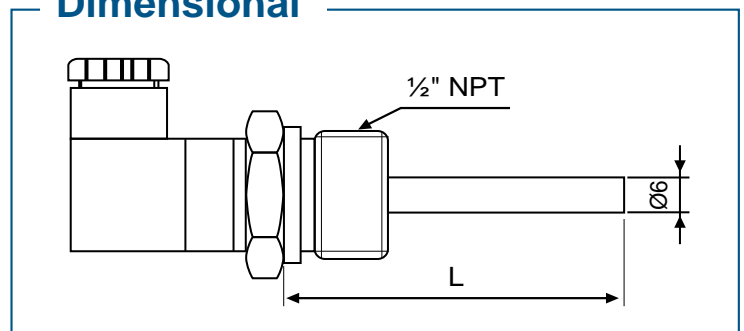
- 4-20mA LED Display - Relay + 4-20mA Output - Add Suffix (LED) to part number

SPECIFICATIONS

| | |
|------------------|---|
| Type | In-Line Temperature Sensor |
| Range | 32 -212 F (0-100 C)-(Std)* |
| Mechanical Conn. | 1/2" NPT or G Type |
| Electrical Conn. | DIN 43650C |
| Sensor | 2-Wire Loop Powered Class B (EN 60751) |
| Material | PTFE PFA Teflon® |
| Stem Length (L) | 4"-6"-8 " (Std) Other Lengths Available |
| Protection Class | IP 65 |
| Pipe Diameter | 6 mm |

* Other Temperature Ranges Available

Dimensional



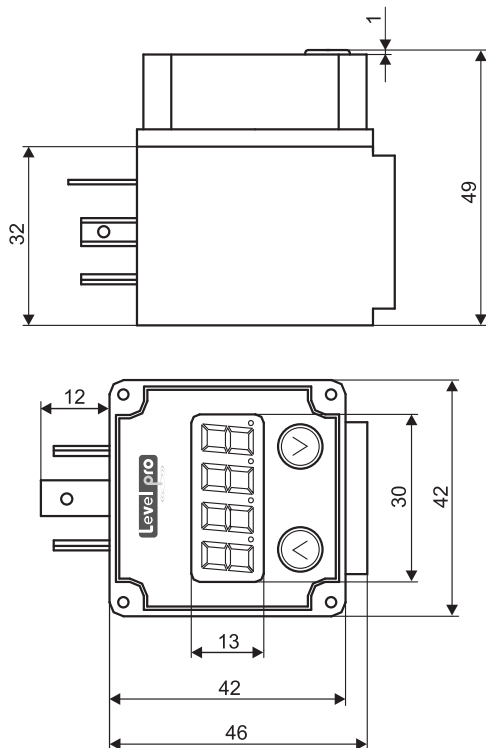
| NPT | Range |
|------|--------------------------|
| 1/2" | 32° - 212°F 0 - 100°C |



Features

- Local display of measured value
- Direct mounting
- 4-digit LED display
- Easy setting by 2 button
- Relay Output
- Powered from current loop (4-20 mA)

Dimensional Drawing



SPECIFICATIONS

| | |
|---------------------------|-----------------------------------|
| Input signal | 4 ... 20 mA |
| Voltage drop | < 2.5 V |
| Accuracy | 0,1 % ± 1 digit |
| Display | 4 digit, LED, height of digit 7mm |
| Ambient temperature range | -20 ... +70°C |
| Storage temperature range | -30 ... +85°C |
| Connection | Connector acc. to DIN 43 650 |
| Housing | plastic ABS |
| Protection class | IP65 |
| Dimension | 42 x 46 x 49 mm |
| Weight | approx. 80 g |

ORDERING

| Size | Part Number | Material |
|------|-------------|----------|
| 4" | TPP-04 | PTFE/PFA |
| 6" | TPP-06 | PTFE/PFA |
| 8" | TPP-08 | PTFE/PFA |

* Add Suffix - 'L' for Local Display

Electrical Connection

Positive pole (+ U) is connected to pin No. 1, negative pole (0 V) is connected to pin No. 2. The plug-on display is powered by the current loop of the 4-20 mA, no additional auxiliary power is required.

