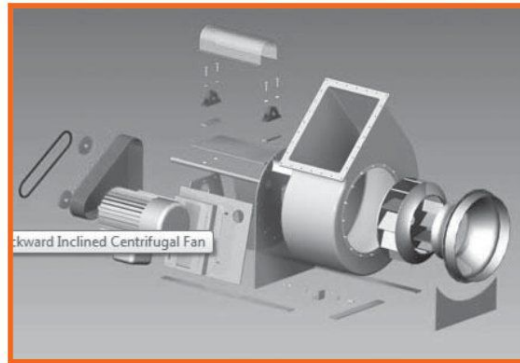
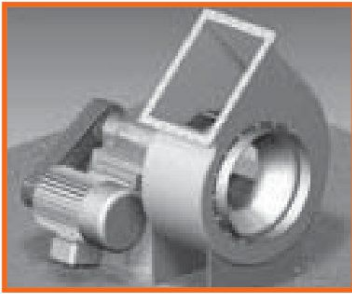


Universal FRP Fans

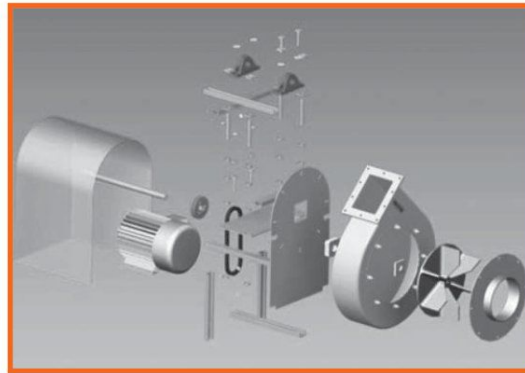
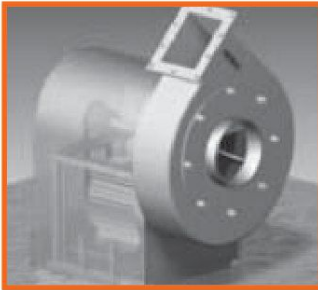
FBIX Backward Inclined Centrifugal Fan



- 17 Sizes : 12.2" to 60.0" ~ 310 mm to 1525 mm
- Volumes : 500 - 80000 cfm ~ 0.24 to 38.0 m³ /s
- Pressures : to 17.0" wg ~ 4250 Pa
- Maximum temperature 200F ~ 94C
- Arrangements 1, 8, 9 and 10

The FBIX backward inclined centrifugal high efficiency fan is designed for severe duty corrosive applications in odour control sewage treatment installations clean rooms and gas scrubber systems.

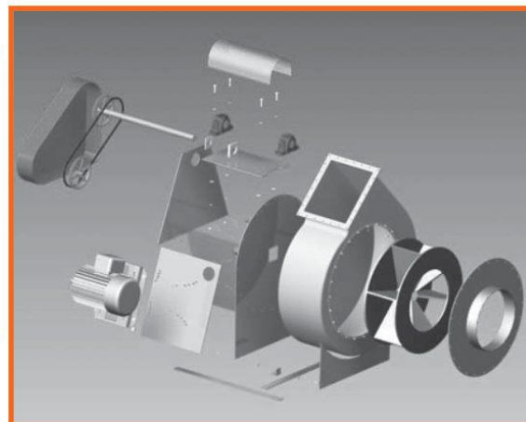
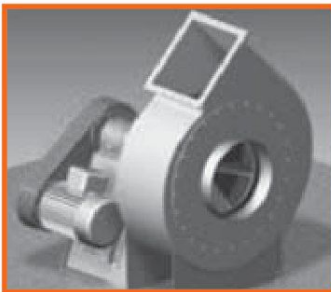
FRBJ Radial Bladed Junior Centrifugal Fan



- 3 Sizes : 10.6" to 13.5" ~ 270 mm to 343 mm
- Volumes : 100 - 2100 cfm ~ 0.05 to 1.05 m³ /s
- Pressures : to 12.0" wg ~ 3000 Pa
- Maximum temperature 200F ~ 94C
- Arrangements 10

The FRBJ Junior radial bladed centrifugal fan is ideal for laboratory fume removal where the many varied gas constituents can rapidly deteriorate steel product.

FRBX Radial Bladed Centrifugal Fan



- 11 Sizes : 15.6" to 57.5" ~ 400 mm to 1460 mm
- Volumes : 500 - 38000 cfm ~ 0.24 to 18.0 m³ /s
- Pressures : to 20.0" wg ~ 5000 Pa
- Maximum temperature 200F ~ 94C
- Arrangements 1, 9 and 10

The FRBX radial bladed centrifugal fan is designed for severe duty corrosive applications : waste water treatment plants, plating facilities and gas scrubber systems.