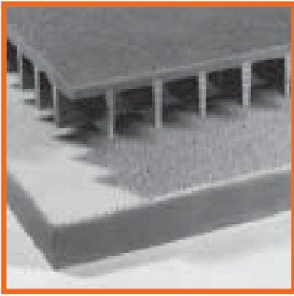


## Grating Accessories



### Fiberglass Covered Grating

All Fiberglass Grating is available with an integral cover plate to prevent fumes in the work area or where high stiffness over drainage trenches is required.



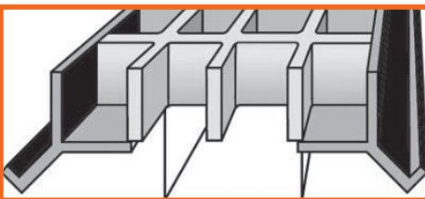
### Fiberglass Floor Plate

Available to cover all panel sizes. Easy to clean both top and bottom sides. Can be used as a splash guard. Available in thickness from 1/16" (1.5mm) to 1" (25mm). Grit top surface is standard for floor plate applications.



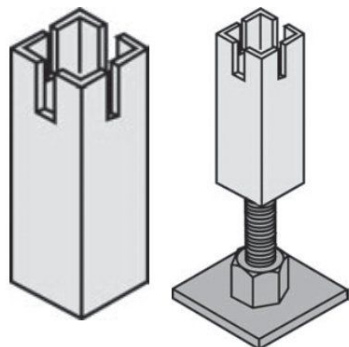
### Fiberglass Stair Treads

Fiberglass stair treads come complete with contrasting colored antislip nosing. Available in standard lengths of 24", 30", 36", or 42". Available in widths of 9", 10 1/2", or 12".



### Fiberglass Concrete Curb Angle

Pultruded fiberglass Curb Angle provides a strong, firm base for bearing bars. Standard Curb Angle is produced using a gray, fire retardant vinyl ester resin system and is available in three sizes.

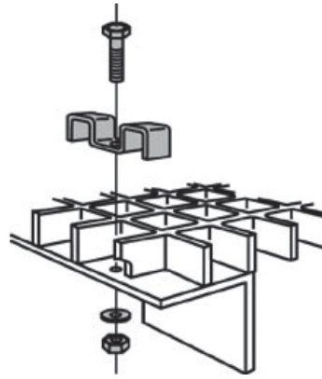


### Fiberglass Elevated Floor Systems

Fixed and adjustable Fiberglass Columns are available to provide elevated dry floor. Strongwell's pultruded fiberglass Curb Angle provides a strong, firm base for bearing bars. Standard Curb Angle is produced using a gray, fire retardant vinyl ester resin system and is available in three sizes. Floors can be designed to support up to 2,000 pounds per square foot.

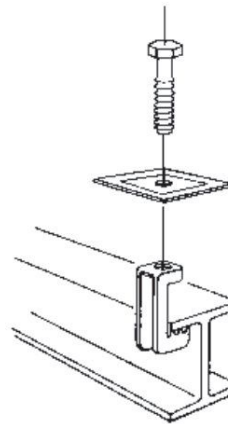
### Grating Clips

Prevent panel drift - bold, nut and washer included. Use 2 or 3 for each side of each full size panel; 4 for each Stair Thread. 18-8 stainless steel. The following Types are available:



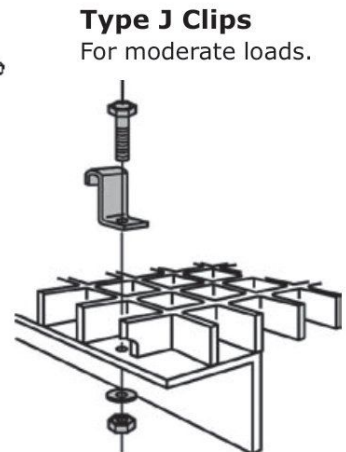
#### Type M Clips

Restrains movement in all directions. Can use self-drilling screws when attaching to metal supports.



#### Type G-G Clips

Install from top of grating. No hole to drill. Galvanized available.



#### Type J Clips

For moderate loads.

#### Type C

For joining two unsupported ends.

